

Installation Guide

DEVIreg™ 330

(+5 to +45°C)

Electronic Thermostat

Table of Contents

1	Introduction	3
	1.1 Technical Specifications	4
	1.2 Safety Instructions	5
2	Mounting Instructions	6
3	Settings	7
4	Warranty	8
5	Disposal Instruction	9

1 Introduction


DEVIreg™ 330 is an electronic thermostat to be installed in electric cabinets with DIN rail attachment. The thermostat must be installed via an all-pole disconnection switch. Either a floor sensor or an external room sensor must be used to measure and control the desired temperature.

The thermostat has a button to adjust the temperature setting with a scale from +5 to +45°C. An LED indicator shows standby periods (green light) and heating periods (red light).

**More information on this product can also be found at:
devireg.devi.com**

1.1 Technical Specifications

Operation voltage	220-240V~, 50Hz
Standby power consumption	Max 0.25W
Relay: Resistive load Inductive load	Max 16A / 3680W @ 230V cos φ= 0.3 max1A
Sensing units	NTC 15kOhm at 25°C
Sensing values: 0°C 25°C 50°C	42kOhm 15kOhm 6kOhm
Hysteresis	± 0.2°C
Ambient temperature	10°C to +50°C
Lowering in economy periods	-5°C
Temperature range	+5 to +45°C
Cable specification max	1x4mm ² or 2x2,5mm ²
Ball pressure temperature	75°C
Pollution degree	2 (domestic use)
Type	1C
Storage temperature	-20°C to +65°C
IP class	20

Protection class	Class II - 
Dimensions	86 x 36 x 58mm
Weight	83g

The product complies with the EN/IEC Standard "Automatic electrical controls for household and similar use":

- EN/IEC 60730-1 (general)
- EN/IEC 60730-2-9 (thermostat)

1.2 Safety Instructions

Make sure the mains supply to the thermostat is turned off before installation.

IMPORTANT: When the thermostat is used to control a floor heating element in connection with a wooden floor or similar material, always use a floor sensor and never set the maximum floor temperature to more than 35°C.

Please also note the following:

- The installation of the thermostat must be done by an authorized and qualified installer according to local regulations.
- The thermostat must be connected to a power supply via an all-pole disconnection switch.
- The sensor is to be considered as live voltage. Have this in mind if the sensor must be extended.

- Always connect the thermostat to continuous power supply.
- Do not expose the thermostat to moisture, water, dust, and excessive heat.

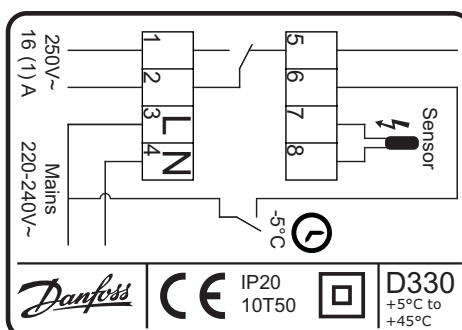
2 Mounting Instructions

Please observe the following placement guidelines:

- Install the thermostat in an electric cabinet with DIN rail attachment or a separate DIN attachment according to local regulation on IP classes.
- Do not place the thermostat in a way that it will be exposed to direct sunlight.

Follow the steps below to mount the thermostat:

1. Click the thermostat on to the DIN rail attachment.
2. Connect the thermostat according to the connection diagram.



The screen of the heating cable must be connected to the earth conductor of the power supply cable by using a separate connector.

Note: Always install the floor sensor in a conduit in the floor.

3. Turn on the power supply.

3 Settings

If a floor sensor is used, please be aware of the following:

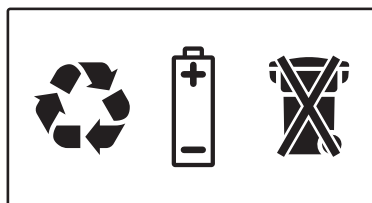
- The floor temperature is measured where the sensor is placed.
- The temperature of the bottom of a wooden floor can be up to 10 degrees higher than the top.
- Floor manufactures often specify the max temperature on the top surface of the floor (usually 27-28°C).
- Always use a floor sensor to control floor heating. Without a floor sensor, the temperature control may be less accurate and you risk overheating the floor.

Thermal resistance [m²K/W]	Examples of flooring	Details	Approximate setting for 25°C floor temperature
0.05	8 mm HDF based laminate	> 800 kg/m ³	28°C
0.10	14 mm beech parquet	650 - 800 kg/m ³	31°C
0.13	22 mm solid oak plank	> 800 kg/m ³	32°C
< 0.17	Max. carpet thickness suitable for floor heating	acc. to EN 1307	34°C
0.18	22 mm solid fir planks	450 - 650 kg/m ³	35°C

4 Warranty



5 Disposal Instruction

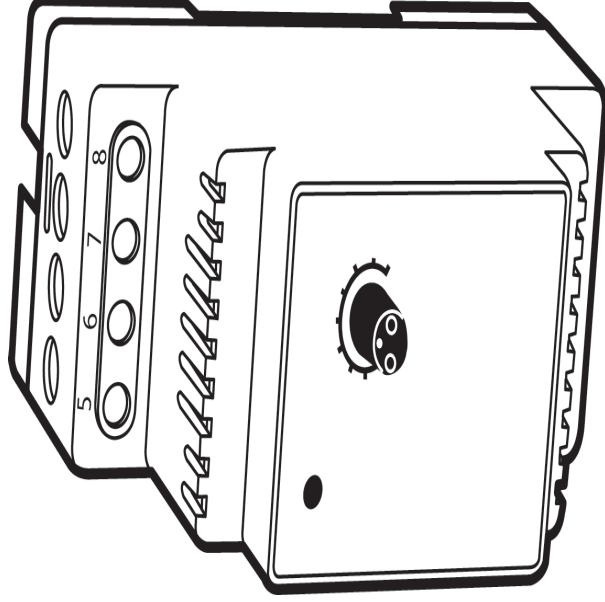


Danfoss A/S
Electric Heating Systems
Ulvehavevej 61
7100 Vejle
Denmark
Phone: +45 7488 8500
Fax: +45 7488 8501
E-mail: EH@DEVI.com
www.DEVI.com

Danfoss can accept no responsibility for possible errors in catalogues, brochures and other printed material. Danfoss reserves the right to alter its products without notice. This also applies to products already on order provided that such alterations can be made without subsequential changes being necessary in specifications already agreed. All trademarks in this material are property of the respective companies. DEVI and the DEVI logo-type are trademarks of Danfoss A/S. All rights reserved.

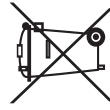
DEVlreg 330 +5<>+45° 140F1072

220-240V~
50-60Hz~
+5 to +45°C
16A/3680W@230V~



Product Documentation

DK EL 7224215315
SE EL 8581185
NO EL 5491481
FI S STL 3531031



Designed in Denmark for Danfoss A/S

